

Hapworth Kitchens

Unit 8 Genesis Business Park, Rainsford Road,
Park Royal, London NW10 7RG

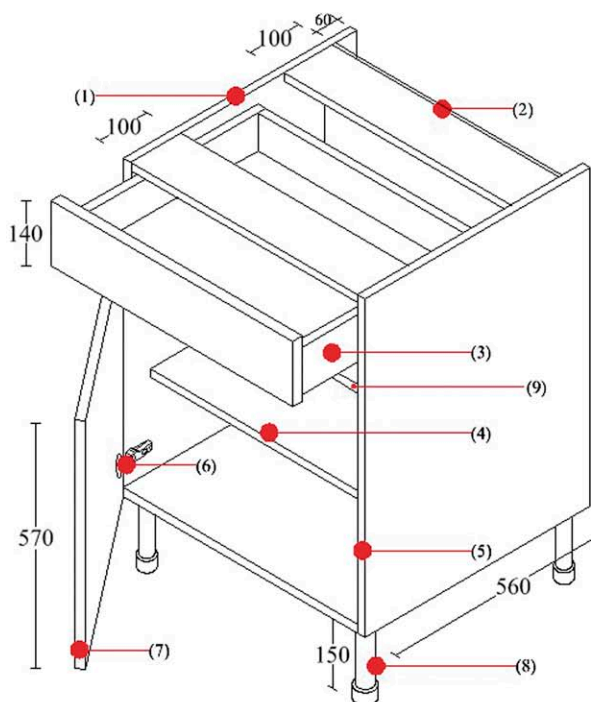
Tel: 0208 9631077

Fax: 0208 9633784

Email: enquiries@hapworth.co.uk Web: www.hapworth.co.uk



9 good reasons why you should choose Hapworth as your kitchen supplier



- 1) All carcasses are made to the highest standard, all edges are sealed for moisture resistance
- 2) 18mm solid back removable for easy access to services
- 3) Blum drawer box, steel moulded sides and runners with colour co-ordinated interior.
- 4) 18mm adjustable shelves on all carcasses.
- 5) All carcasses have concealed edges
- 6) Blum 170 Degree all steel heavy domestic clip on and off hinges with 4 way adjustments.
- 7) All doors, drawers and handles are factory fitted for easy installation.
- 8) Neoprene adjustable legs
- 9) Door seal cross rail for strength and rigidity

Available in 2 designs, 5 colours & a choice of 5 handles
Duropol Fira Gold award worktops - available in 30 colours
Bespoke cutting service available

Please contact us for further information or view our website
Tel: 0208 963 1077 **www.hapworth.co.uk**

